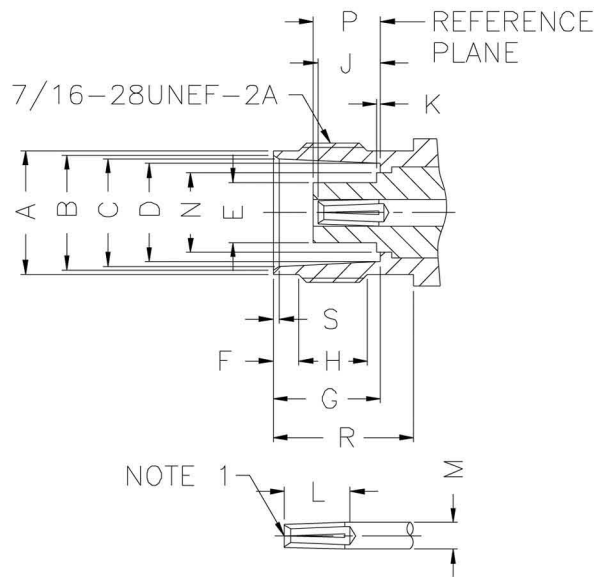
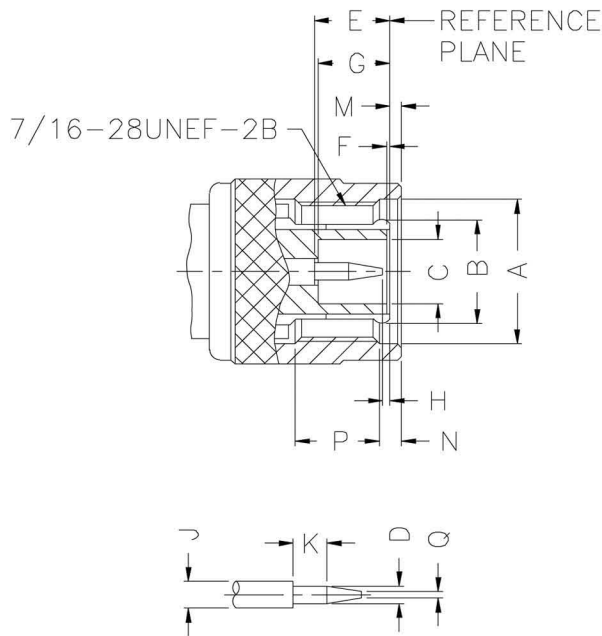


## INTERFACE MATING DIMENSIONS



PLUG		
Letter	Millimeters	
	Minimum	Maximum
A	11.18	-
B	Flared To Meet Good Electrical Contact	
C	4.83	-
D	1.32	1.37
E	5.33	5.84
F	0.15	0.46
G	5.28	5.79
H	0.08	1.02
J	2.06	2.21
K	1.98	-
M	-	1.98
N	1.60	-
P	3.96	-
Q	-	0.64

JACK		
Letter	Millimeters	
	Minimum	Maximum
A	9.60	9.70
B	8.79	9.04
C	8.31	8.46
D	8.10	8.15
E	-	4.72
F	1.73	2.24
G	8.31	8.51
H	4.75	-
J	4.72	5.23
K	-	0.15
L	4.95	-
M	2.06	2.21
N	-	6.50
P	4.78	5.28
R	10.52	-
S	0.38	0.76

**Note 1** : I.D. to meet VSWR and contact resistance when mated with 1.32/1.37 mm dia. pin.